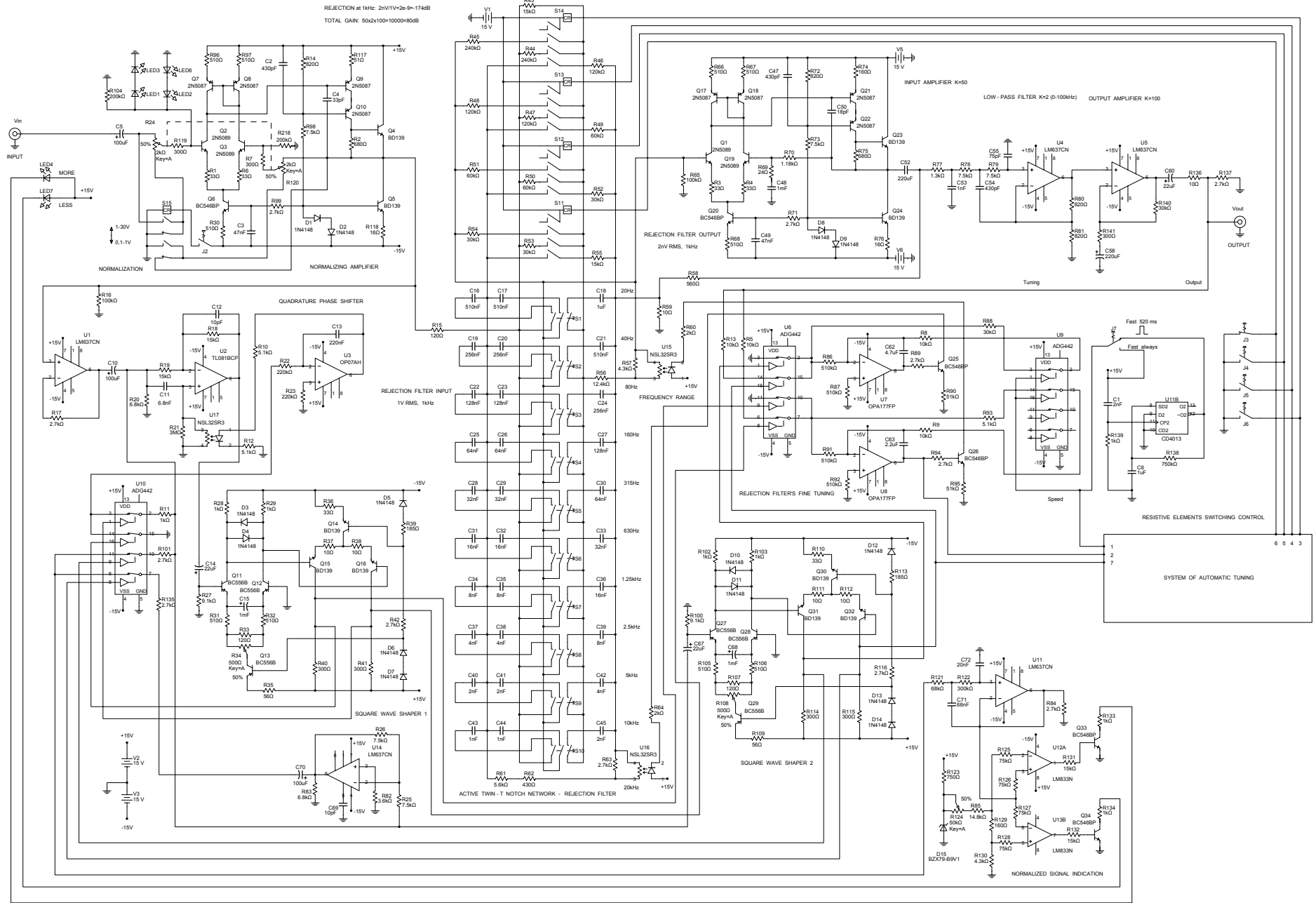


VK-2 DISTORTION METER



REJECTION at 1kHz:  $2nV/V \times 26 \times 9 = 1740\mu B$   
 TOTAL GAIN:  $50 \times 2 \times 100 = 10000 = 80dB$

INPUT AMPLIFIER K=50  
 LOW-PASS FILTER K=2 (0-100kHz)  
 OUTPUT AMPLIFIER K=100

REJECTION FILTER OUTPUT  
 2mV RMS, 1kHz

REJECTION FILTER INPUT  
 1V RMS, 1kHz

FREQUENCY RANGE

REJECTION FILTERS FINE TUNING

SQUARE WAVE SHAPER 2

ACTIVE TWIN-T NOTCH NETWORK - REJECTION FILTER

Tuning

Output

Speed

RESISTIVE ELEMENTS SWITCHING CONTROL

SYSTEM OF AUTOMATIC TUNING

NORMALIZED SIGNAL INDICATION

VK-2 DISTORTION METER - SYSTEM OF AUTOMATIC TUNING

